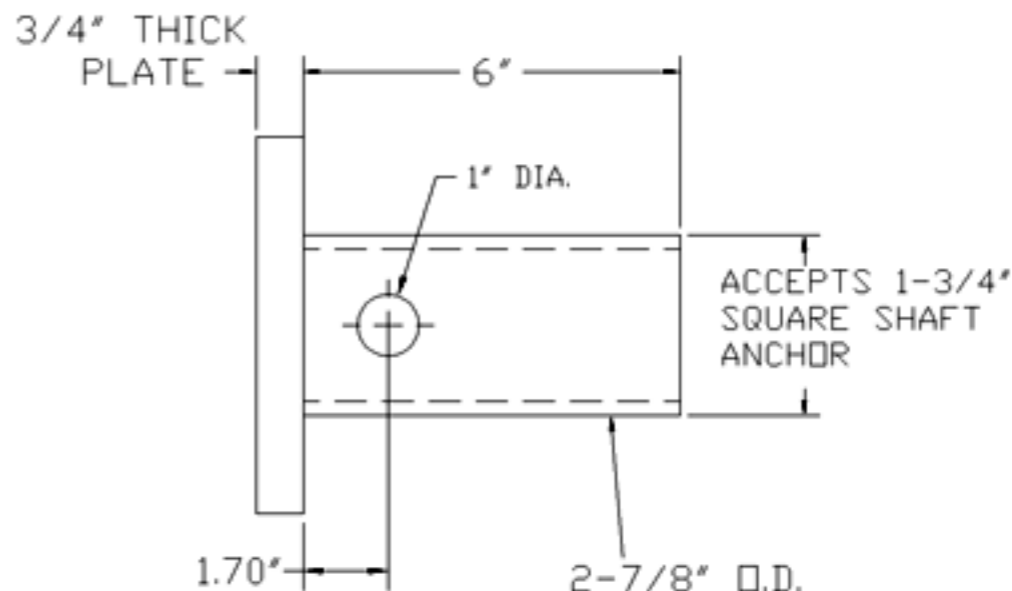
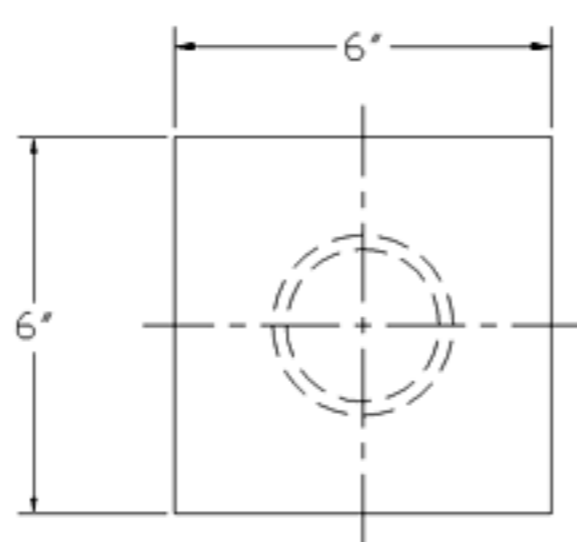


INSTALLATION CONCEPT OF
PIER CAP DETAIL

==NOTES==

1. FINISH: MILL FINISH STEEL.
2. MATERIAL SPECIFICATIONS:
PIPE: STEEL TUBE, ROUND, PER ASTM A500 GRADE B.
PLATE: PER ASTM A36.
3. RATING: 30 TON COMPRESSION WORKING/DESIGN LOAD.
4. RATING: 15 TON TENSION WORKING/DESIGN LOAD.
TENSION RATING VALID ONLY IF USING COUPLING BOLT AND
NUT SPECIFIED IN CHART BELOW OR THEIR MECHANICAL EQUIVALENT.
5. THESE ABOVE RATINGS ARE VALID ONLY IF THE PIER CAP DETAIL
HAS BEEN DESIGNED TO ENSURE ADEQUATE LOAD TRANSFER
FROM REINFORCED CONCRETE FOUNDATION TO SCREW PIER, AND
IN ACCORDANCE WITH EXISTING LOCAL CODE REQUIREMENTS
AND/OR ESTABLISHED LOCAL PRACTICES.



COUPLING BOLT AND NUT *

CATALOG NUMBER	DESCRIPTION	BOLT TYPE
P001-1443	7/8" X 3-3/4" LONG BOLT	ASTM A193 GRADE B7
055591	HEX NUT	

* BOLTS AND NUTS ARE NOT INCLUDED WITH BRACKET.

CATALOG NUMBER
C150-0467

CHANCE CIVIL CONSTRUCTION <small>CONFIDENTIAL: THIS DRAWING AND ITS CONTENTS ARE CONFIDENTIAL AND THE EXCLUSIVE PROPERTY OF HUBBELL POWER SYSTEMS. NO PUBLICATION, DISTRIBUTION OR COPIES MAY BE MADE WITHOUT THE WRITTEN CONSENT OF HUBBELL POWER SYSTEMS. HUBBELL POWER SYSTEMS UNPUBLISHED ALL RIGHTS RESERVED UNDER THE COPYRIGHT LAWS.</small>	HUBBELL POWER SYSTEMS <small>POWER SYSTEMS, INC.</small>		
	TITLE NEW CONSTRUCTION PIER CAP FOR 1-3/4" PILES FOR UPLIFT RESTRAINT		
<small>SIZE</small> SB	<small>DWG NO.</small> SA150-0467	<small>CAT / PART / ASSY NO.</small> C150-0467	<small>REV</small> C
<small>DO NOT SCALE THIS DRAWING</small>	<small>DRN BY</small> KSH	<small>DATE</small> 8/26/04	<small>SHEET</small> 1/1