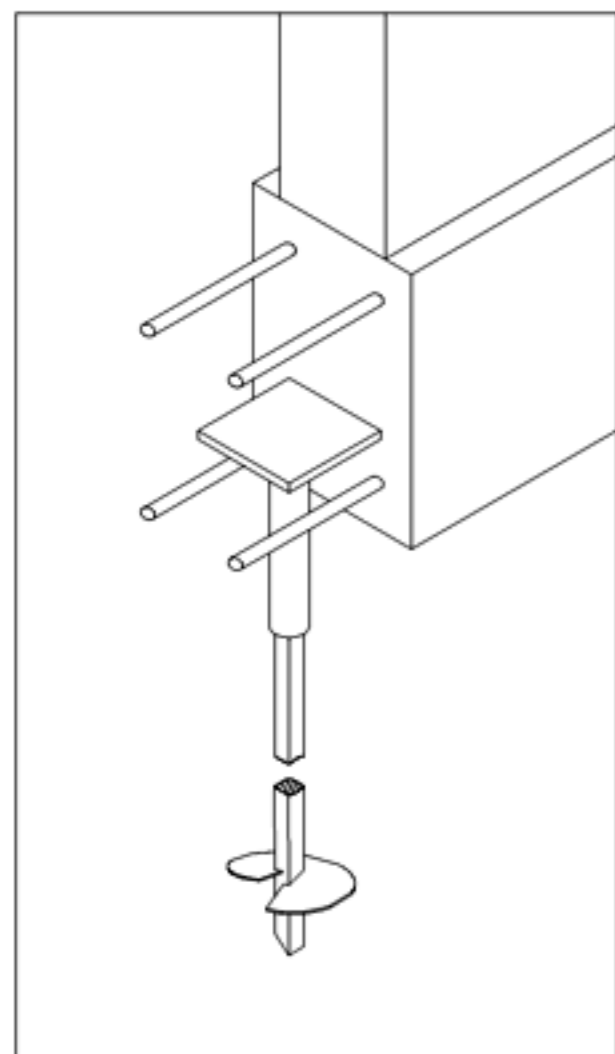
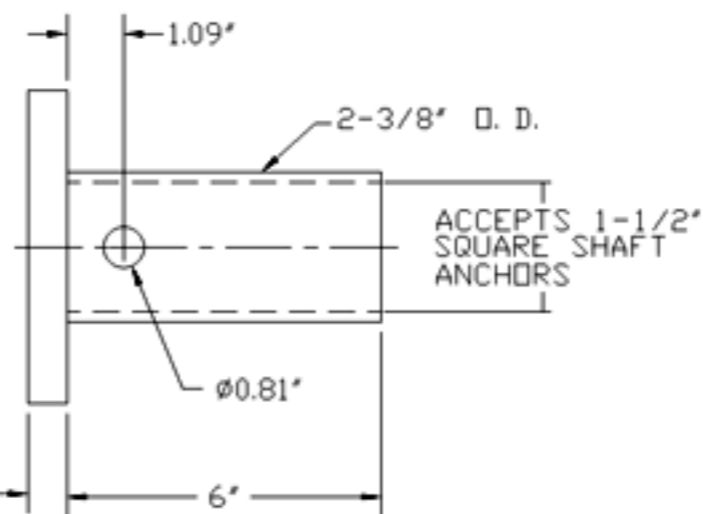
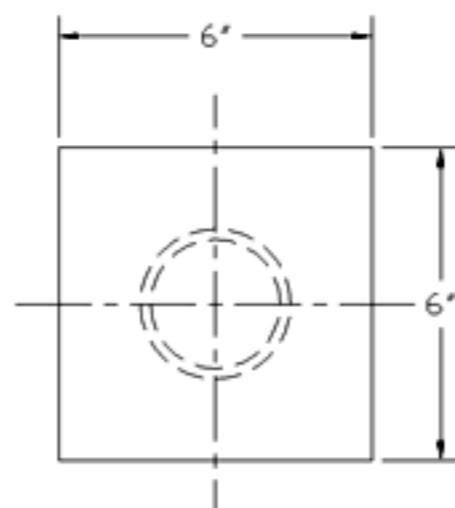


==NOTES==

1. FINISH: MILL FINISH STEEL.
2. MATERIAL SPECIFICATIONS:  
PIPE: STEEL PIPE, PER ASTM A53 GRADE B, OR  
ASTM A 500 GRADE B.  
PLATE: PER ASTM A572 GRADE 50.
3. RATING: 20 TON COMPRESSION WORKING/DESIGN LOAD.
4. RATING: 10 TON TENSION WORKING/DESIGN LOAD.  
TENSION RATING VALID ONLY IF USING COUPLING BOLT AND  
NUT SPECIFIED IN CHART BELOW OR THEIR MECHANICAL EQUIVALENT.
5. THESE ABOVE RATINGS ARE VALID ONLY IF THE PIER CAP DETAIL  
HAS BEEN DESIGNED TO ENSURE ADEQUATE LOAD TRANSFER  
FROM REINFORCED CONCRETE FOUNDATION TO SCREW PIER, AND  
IN ACCORDANCE WITH EXISTING LOCAL CODE REQUIREMENTS AND /OR  
ESTABLISHED LOCAL PRACTICES.



INSTALLATION CONCEPT OF  
PIER CAP DETAIL




1/2" THICK  
PLATE

CATALOG NUMBER  
C150-0465

COUPLING BOLT AND NUT *		
CATALOG NUMBER	DESCRIPTION	BOLT TYPE
P001-0041	3/4" X 3' LONG BOLT	ASTM A320 GRADE L7
450315	HEX NUT	

\* BOLTS AND NUTS ARE NOT INCLUDED WITH BRACKET.

<b>CHANCE</b> CIVIL CONSTRUCTION  <small>CONFIDENTIAL: THIS DRAWING AND ITS CONTENTS ARE CONFIDENTIAL AND THE EXCLUSIVE PROPERTY OF HUBBELL POWER SYSTEMS. NO PUBLICATION, DISTRIBUTION OR COPIES MAY BE MADE WITHOUT THE WRITTEN CONSENT OF HUBBELL POWER SYSTEMS. HUBBELL POWER SYSTEMS UNPUBLISHED ALL RIGHTS RESERVED UNDER THE COPYRIGHT LAWS.</small>	 <b>HUBBELL POWER SYSTEMS</b>		
	TITLE NEW CONSTRUCTION PIER CAP FOR 1-1/2" PILES FOR UPLIFT RESTRAINT		
SIZE SB SA150-0465	DWG NO. SA150-0465	CAT / PART / ASSY NO. C150-0465	REV A
DO NOT SCALE THIS DRAWING	DRN BY KSH	DATE 8/25/04	SHEET 1/1