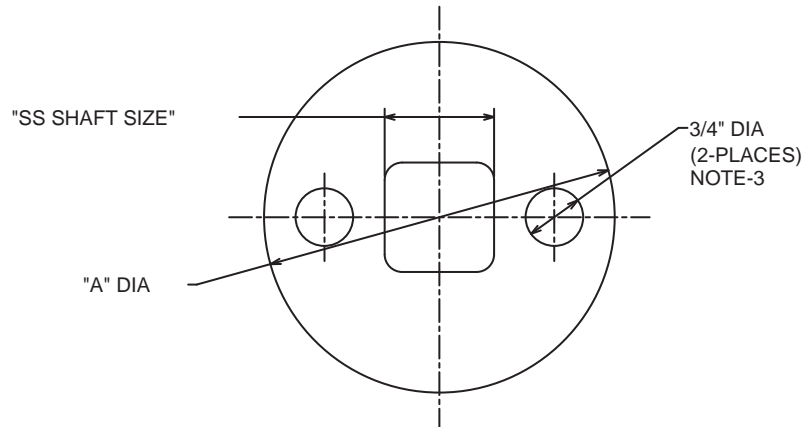


DISPLACEMENT PLATES FOR UN-CASED GROUT COLUMNS

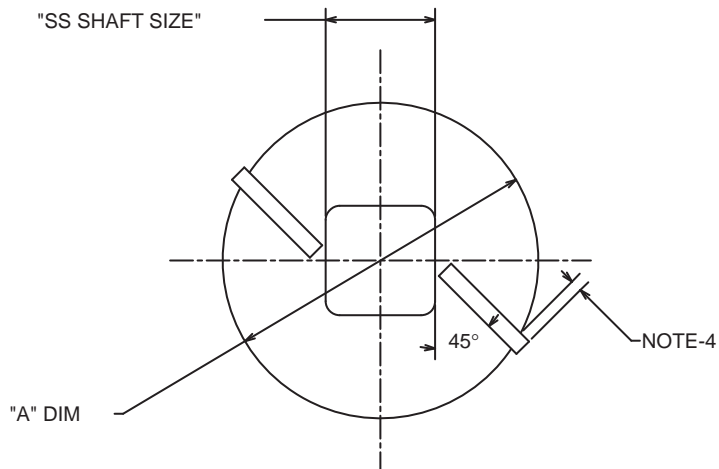
==NOTES==

1. MAT'L: 1/4" THICK STEEL.
2. FINISH: CLEARCOAT.
3. 3/4" DIA. HOLES LOCATED ON CENTER LINE + .1/8"
4. PADDLES OVERHANG OUTSIDE PERIMETER OF PLATE.



EXTENSION DISPLACEMENT PLATE (EDP)

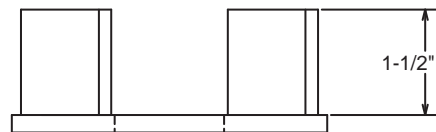
EXTENSION DISPLACEMENT PLATE		
CAT. NO.	DIM. "A"	SS SHAFT SIZE
T150-0330	5"	1-1/2"
T150-0331	7"	1-1/2"
C150-0382	3-29/32"	1-1/2"
C150-0384	5"	1-3/4"
C150-0386	5-29/32"	1-3/4"
C150-0388	7"	1-3/4"
C150-0390	7-29/32"	1-3/4"
C150-0392	5-29/32"	2"
C150-0394	7-29/32"	2"
C150-0396	10"	2"
C150-0406	10"	1-3/4"
T150-0450	8"	2-1/4"
T150-0451	10"	2-1/4"



LEAD DISPLACEMENT PLATE (LDP)

LEAD DISPLACEMENT PLATE		
CAT. NO.	"A" DIM	SS SHAFT SIZE
T150-0334	5"	1-1/2"
T150-0335	7"	1-1/2"
C150-0383	5"	1-3/4"
C150-0387	7"	1-3/4"
C150-0389	8-1/2"	1-3/4"
C150-0391	7"	2"
C150-0393	8-1/2"	2"
C150-0395	10"	2"
C150-0405	10"	1-3/4"
T150-0448	8.5"	2-1/4"
T150-0449	10"	2-1/4"

HELICAL PULLDOWN MICROPILES



LATEST EC NO.	REV.	DATE	CHANGED BY	RESP ENGINEER
EC02042	A	10-10-00	MARTIN	LOONEY
DISPLACEMENT PLATE				
MARTIN	5-26-00	SA150-0330		