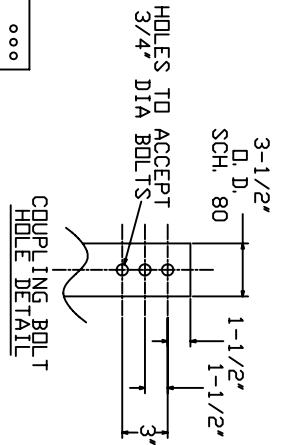
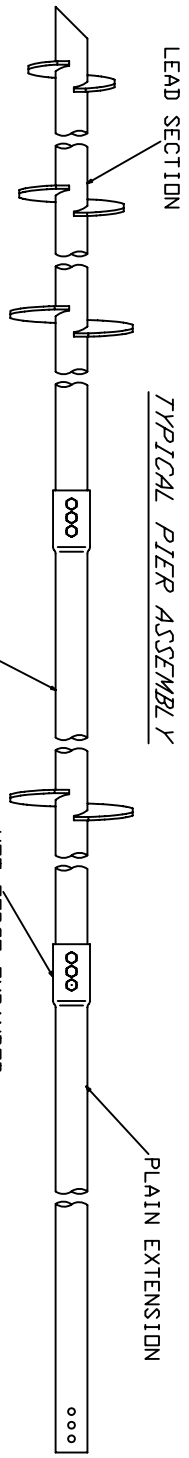


# RS3500, 300 HELICAL PIERS

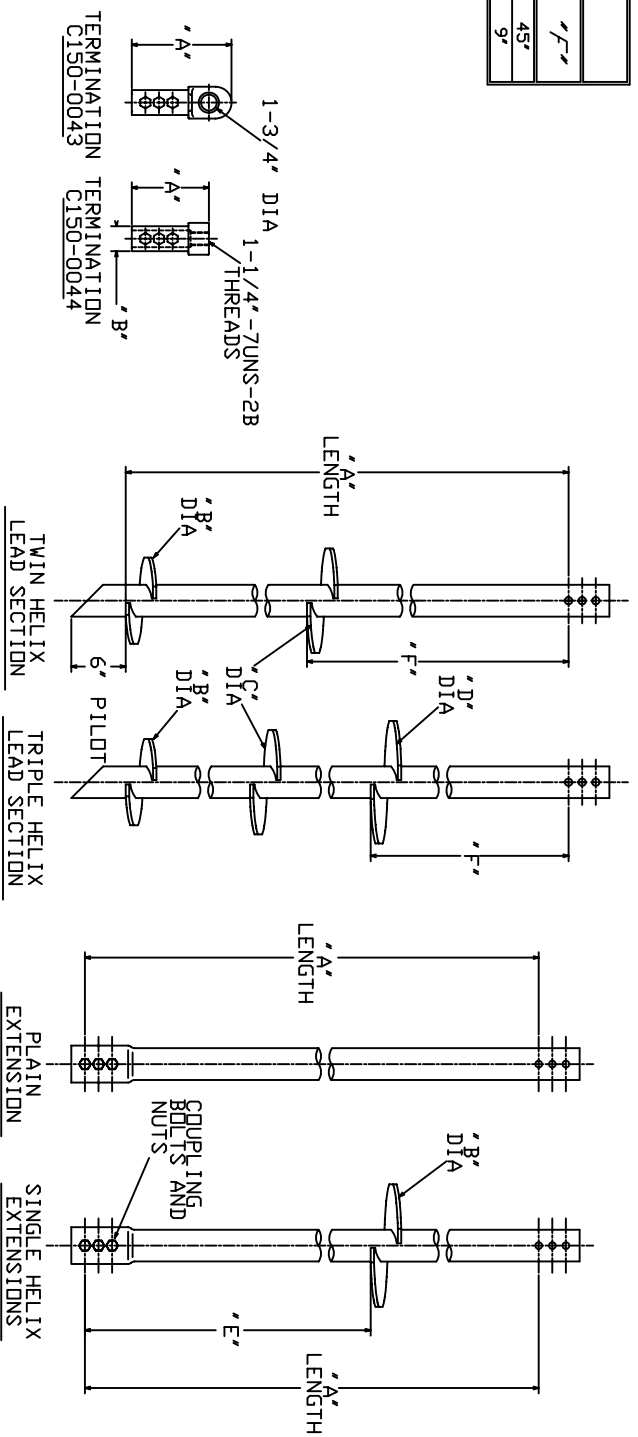
TORQUE STRENGTH RATING--13,000 FT-LB  
 ULTIMATE CAPACITY\*(TENSION/COMPRESSION)--91 KIP  
 \* BASED ON A TORQUE FACTOR (Kt)=7  
 † SINGLE HELIX ULTIMATE STRENGTH--50 KIP  
 ‡ ULTIMATE TENSION STRENGTH (COUPLING BOLT)--120 KIP



LEAD SECTIONS					
CAT. NO.	'A'	'B'	'C'	'D'	'F'
C150-0023	75'	10"	12"		45'
C150-0024	75'	10"	12"	14"	9'

EXTENSION SECTIONS			
CAT. NO.	'A'	'B'	'E'
C150-0025	56'		
C150-0026	78'		
C150-0216	119'		
C150-0217	43'	14'	37'

TERMINATIONS			
CAT. NO.	'A'	'B'	'E'
C150-0043	11'	2-3/4'	
C150-0044	8-1/2'	2-3/4'	



## NOTES-

- HOT DIP GALVANIZED PER ASTM A123-(LATEST REV.).
- LEAD AND EXTENSION SECTION LENGTHS AND HELIX SPACINGS ARE NOMINAL.
- NOMINAL SPACING BETWEEN HELIX PLATES IS THREE TIMES THE DIAMETER OF THE LOWER HELIX.
- SHAFT MATERIAL PER ASTM A618 OR A500 GRADE B OR MECHANICAL EQUIVALENT.
- HELIX MATERIAL LOW CARBON STEEL MEETING THE GENERAL REQUIREMENTS OF AISI, DR ASTM A36, A572, A576, A656, OR A1018.
- COUPLING BOLTS: 3/4" DIAMETER X 5-3/4" LONG HEX HEAD PER SAE J429 GRADE 5.
- MANUFACTURER TO HAVE IN EFFECT INDUSTRY RECOGNIZED WRITTEN QUALITY CONTROL FOR ALL MATERIALS AND MANUFACTURING PROCESSES.
- FOR ALL WELDING TO BE DONE BY WELDERS CERTIFIED UNDER SECTION 5 OF THE AWS CODE D1.1.
- EXTENSIONS MUST BE PROVIDED WITH A HOT FORGE EXPANDED INTEGRAL COUPLING CONNECTION ON ONE END.
- REFER TO SA107-10044 DRAWING FOR A MORE COMPLETE LIST OF LEADS AND SA150-10045 FOR PLAIN AND HELICAL EXTENSIONS.

HELIX MUST BE FORMED BY MATCHING METAL DIE (SIDE VIEW)



CHANCE		HUBBELL POWER SYSTEMS	
CONSENTS THE BORROWING AND THE EXCLUSIVE PROPERTY OF HUBBELL POWER SYSTEMS NO REPRODUCTION WITHOUT THE WRITTEN CONSENT OF HUBBELL POWER SYSTEMS. UNPUBLISHED. ALL RIGHTS RESERVED UNDER THE COPYRIGHT LAWS.		REV G	
SIZE	DWG NO.	CAT / PART / ASSY NO.	REV
SC1 SA150-0019		SEE CHART	G
DO NOT SCALE THIS DRAWING	DWN BY KSH	DATE 4/12/06	SHEET 1/1